

Version	2.0	Date	8/14/18
Prepared By	JC		

PRODUCT SPECIFICATION

Category	Flush Mount - Modern
Item Number	7533
Stock Code	LED16FMM-196L830-NI
Mounting	16" Surface
Housing Color	White + Nickel



ELECTRICAL CHARACTERISTICS			
Rated Wattage (W)	26	Replacement Wattage (W)	200
Tested Wattage (W)	26		
Input Voltage (V)	120V	Surge Protect Level	-
Voltage Frequency (Hz)	60		
Input Current (A)	0.26	Dimmable	Yes
Power Factor	>0.9	AUX (12V) Line	-
THD	<20%		

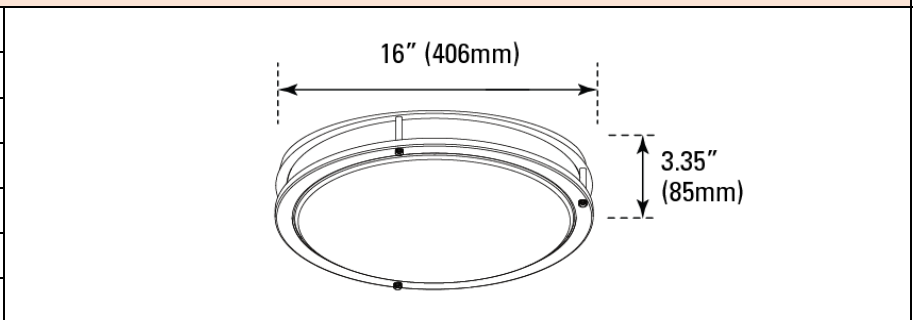
PHOTOMETRIC CHARACTERISTICS			
Lumen (lm)	1,960	CCT (K)	3000K
Efficacy (lm/w)	-	Beam Angle (°)	Flood
CRI	>80		

GENERAL CHARACTERISTICS	
Operating Temperature (°F)	-4°F ~ 104°
Storage Temperature (°F)	-4°F ~ 140°
IP Rating	Damp Location
IK Rating	-
Rated Life (Hrs)	50,000
Warranty (Yrs)	5

ACCESSORIES		
Item #	Stock Code	Description

PRODUCT DIMENSIONS

Width- in / (mm)	16.00"	406
Height- in / (mm)	3.35"	85
Depth- in / (mm)	-	-
EPA (ft²)	-	
Weight (lbs)	3.01	
Mounting Height (ft)	8~15	
Cable Length (ft)	-	



CERTIFICATIONS			
UL/ETL	ETL	CEC	
NSF/ETL Sanitation		JA8	
Energy Star	✓	FCC	✓
DLC		RoHs	✓

DOCUMENTS			
LM79	✓	IES File	✓
LM80	✓	Dimmer List	

COMMENTS

--